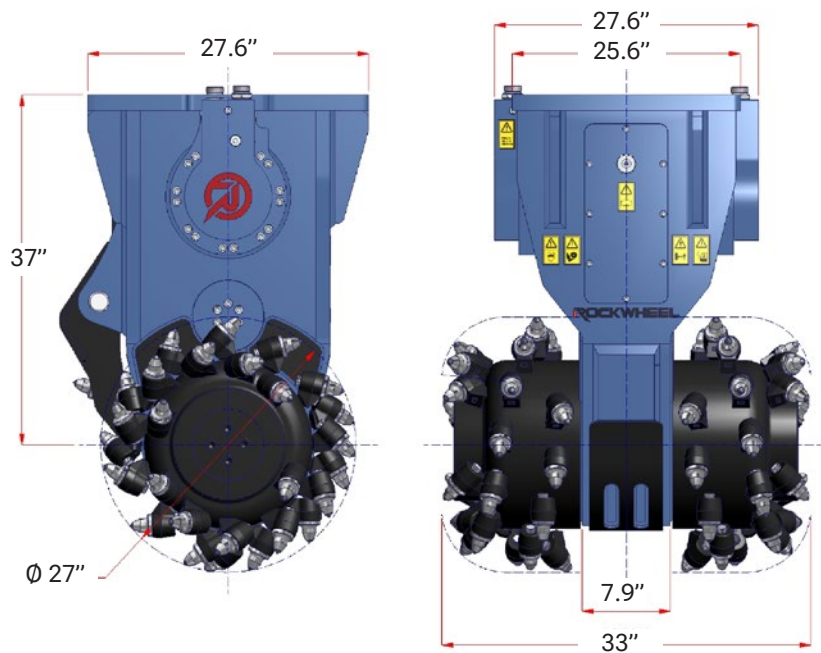


ROCKWHEEL G40 Specifications

Hydraulically powered, gear driven attachment for rock & concrete grinding

Intended Carrier Size: 30-50 ton

		G40
Input Power	hp (kW)	190 (140)
Required Flow Rate	GPM (l/min)	85-110 (320-415)
Max Operating Pressure	max. psi (bar)	5800 (400)
Drum Speed	RPM	45 - 75
Cutting Head Torque (max)	ft.lb (Nm)	29,502 (40)
Cutting Force (max)	lbs (kN)	23,604 (105)
Head Width	in (mm)	33 (835)
Picks	#	54
Weight (without bracket)	lbs (kg)	4250 (1932)



RockZoneAmericas.com
814-466-7134
801 Pleasant View Blvd
Bellefonte, PA 16823 USA

 **ROCKZONE
AMERICAS**

 **EXODUS
GLOBAL**

RockZone Americas is part of
Exodus Global, a family-owned
company in Superior, Wisconsin