

COMPACT EXCAVATOR

TAKEUCHI™

*From World First to World Leader*

# TB257FR



Operating Weight: 5,840 kg

# Product Features & Specifications

## ENGINE

- EU Stage V / EPA Tier 4 Compliant
- Turbocharged
- DOC + DPF Exhaust After Treatment
- Automatic Fuel Bleed System
- Double Element Air Cleaner
- Automatic Deceleration
- Working Modes; Standard, ECO and High Altitude
- Engine Preheat Starting Aid
- High Capacity Radiator and Hydraulic Oil Cooler
- High Capacity Fuel Filters
- Engine Safety Start System on Left Console
- Engine Auto Stop
- Fuel Supply Pump (Optional)

## UNDERCARRIAGE AND FRAME

- Triple Flange Track Rollers
- 2-Speed Travel with Automatic Shift
- Sloped Frame with Open Centers
- Heavy Duty Dozer Blade with Float (Optional)
- Large Wrap Around Counterweight
- 400 mm Rubber Crawlers
- 400 mm Steel Crawlers (Optional)
- 400 mm Segmented Rubber Crawlers (Optional)
- Rubber Pads for 400 mm Steel Crawlers (Optional)
- Check Valve, Dozer Blade (Optional)

## TAKEUCHI FLEET MANAGEMENT

- Minimize Downtime
- Remote Diagnostics
- Utilization Tracking
- Proactive Maintenance
- Control Costs

## OPERATOR'S STATION

- ROPS / TOPS / OPG (TOP Guard, Level I)
- Deluxe High Back Suspension Seat with Head Rest
- 2" Retractable Seat Belt
- Cab with Heat, Defrost, Windshield Wiper and Washer, Skylight with Sunshade, AM / FM / MP3 Bluetooth Radio and 12v Power Outlet
- Air Conditioner (Cab Optional)
- Rain Guard (Cab Optional)
- OPG Level II Roof Guard Kit (Cab Optional)
- OPG Level II Front Guard (Cab Optional)

## ELECTRICAL

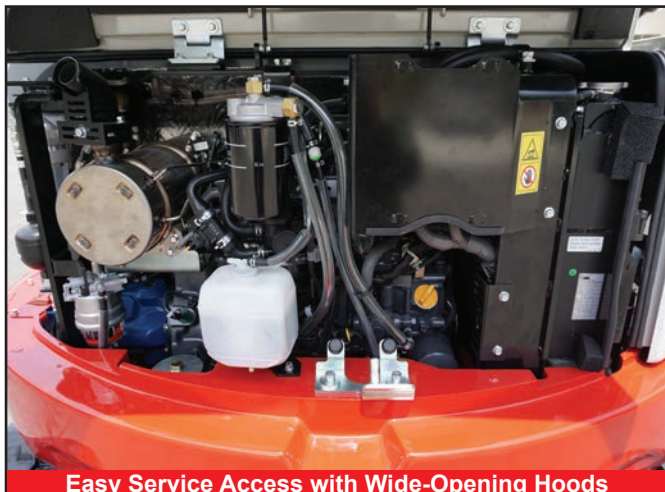
- LCD Multi-Informational Display (Canopy)
- 5.7" Color Multi-Informational Display (Cab)
- Sealed Rocker Switches
- 12 volt System with 90 amp Alternator
- LED Light Package 1; Boom and Front Cab / Canopy (Optional)
- LED Light Package 2; Boom, Front Cab and Rear Cab (Optional)
- Travel Alarm (Optional)
- Beacon Socket and Lamp Switch (Cab Only)
- TFM (Takeuchi Fleet Management, GPS)\*
- TSS (Takeuchi Security System; Immobilizer)\*
- Hour Meter
- Horn

## HYDRAULIC

- Variable Displacement, Open Center Hydraulics
- Straight Travel Circuit
- Hydraulic Joystick Controls
- Proportional Controls for Service Port 1
- Detent for Service Port 1
- Proportional Controls for Service Port 2 (Optional)
- Service Port 3 for Quick Hitch (Optional)
- Proportional Controls for Service Port 4 (Optional)
- Auxiliary Hydraulic Circuit Plumbed to Arm
- Hydraulic Tank with Fluid Sight Gauge
- Adjustable Auxiliary Flow for Service Port 1, 2, & 4
- Auto Pressure Release (Optional)
- Hydraulic Selector Valve (1-way/2-way)
- Pilot Accumulator (Optional)
- Air Breather, Hydraulic Tank
- Auto Tank (Optional)

## WORKING EQUIPMENT

- Full Rotation Capability and Side-to-Side Boom
- Cushioned Boom, Arm and Offset Cylinders
- 1,450 mm Arm
- 1,760 mm Arm
- Boom Holding Valve with Lift Alarm (Optional)
- Arm Holding Valve (Optional)
- Pattern Change Valve (ISO or G) (Optional)
- Lifting Point of Bucket Linkage (Optional)



Easy Service Access with Wide-Opening Hoods



Tilt-Up Cabin Delivering Excellent Serviceability

\*Functions may not be available in all countries, so please consult your Takeuchi dealer for details.

# TOUGH, POWERFUL, RELIABLE



Multiple Aux. Hyd. Circuits



Side to Side Boom Design



Working Mode Selector



Best in Class Traction Force

The TB257FR is the latest addition to the Takeuchi FR line up and features the same Side-to-Side (STS) boom configuration and minimal swing radius as the TB280FR. Powering the TB257FR is powerful, turbocharged engine that is EU Stage V / US Tier 4 compliant and provides 32% more engine output than its predecessor, the TB153FR. Hydraulic performance is also improved with a 19% increase in traction force as well as increase hydraulic flow and main system pressure.

The operator will appreciate the spacious, well-appointed cabin that is similar to the 8t class model. Cabin features include a large multifunction monitor panel, electronic throttle control, rocker switches that control a wide range of functions, deluxe high back suspension seat, and large floor area for greater legroom and comfort. There are three working modes, Standard, ECO, and High Altitude, which allow the operator to maintain optimum performance and efficiency depending on their application.

The unique Side-to-Side (STS) boom configuration is what sets the TB257FR apart from the competition. The STS boom configuration and minimal tail swing allows for unmatched visibility and maneuverability when working in confined spaces. This configuration allows the upper structure to be full rotated nearly within the width of the tracks when the boom is stowed in the full upright position.

Maintenance and serviceability have been greatly improved as well with an enhanced forward tilting cab design that allows for much easier access to the hydraulic control valve, slew motor, and swivel joint. In addition, the counterweight has been redesigned to allow for easier access to the engine for daily maintenance checks and service.



Completely Redesigned Spacious Interior with Intuitive User's Operation

## OPERATING PERFORMANCE

Operating Weight - Cab	5,840 kg
- Canopy	5,725 kg
Bucket Capacity (Heaped)	0.141 m <sup>3</sup>
Slew Speed	9.6 min <sup>-1</sup>
Travel Speed	
1st	2.6 km/h
2nd	4.8 km/h
Gradeability	30°
Ground Pressure - Cab	33.1 kPa
Ground Pressure - Canopy	32.5 kPa
Max Bucket Breakout Force	36.6 kN
Max Arm Digging Force (1,450 mm Arm)	26.0 kN
Max Arm Digging Force (1,760 mm Arm)	23.1 kN
Traction Force	66.9 kN
Boom Swing Angle (Left / Right)	30° / 16°

## ENGINE

Model	Kubota V2403-CR-TE5B
Rated Output (ISO 14396)	39.0 kW / 2,200 min <sup>-1</sup>
Maximum Torque (ISO 14396)	195.6 Nm / 1,500 min <sup>-1</sup>
Displacement	2,434 ml
Alternator	12 V - 1.08 kW
Battery (IEC 60095-1)	12 V - 90 A · h

## FLUID CAPACITY

Engine Lubrication	9.5 L
Cooling System	10.0 L
Fuel Tank Capacity	70.2 L
Hydraulic Reservoir Capacity	52.0 L
Hydraulic System Capacity	100.0 L

## HYDRAULIC SYSTEM

P1, P2	Variable Displacement Pump
Flow Rate	60.5 L/min
Relief Pressure	24.0 MPa
P3	Gear Pump
Flow Rate	44.7 L/min
Relief Pressure	20.6 MPa
Service Port 1	
Flow Rate	105.0 L/min
Hydraulic Pressure	20.6 MPa
Service Port 2	
Flow Rate	44.7 L/min
Hydraulic Pressure	20.6 MPa
Service Port 3	
Hydraulic Pressure	20.6 MPa
Service Port 4	
Flow Rate	44.7 L/min
Hydraulic Pressure	20.6 MPa

## SAFETY and HEALTH

Vibration Levels	
Hand / Arm	≤ 2.5 m/s <sup>2</sup>
Body	≤ 0.5 m/s <sup>2</sup>
Noise Level	
Sound Power Level	LwA 98 dB



Fuel Supply Pump (Optional)



5.7" Color Display

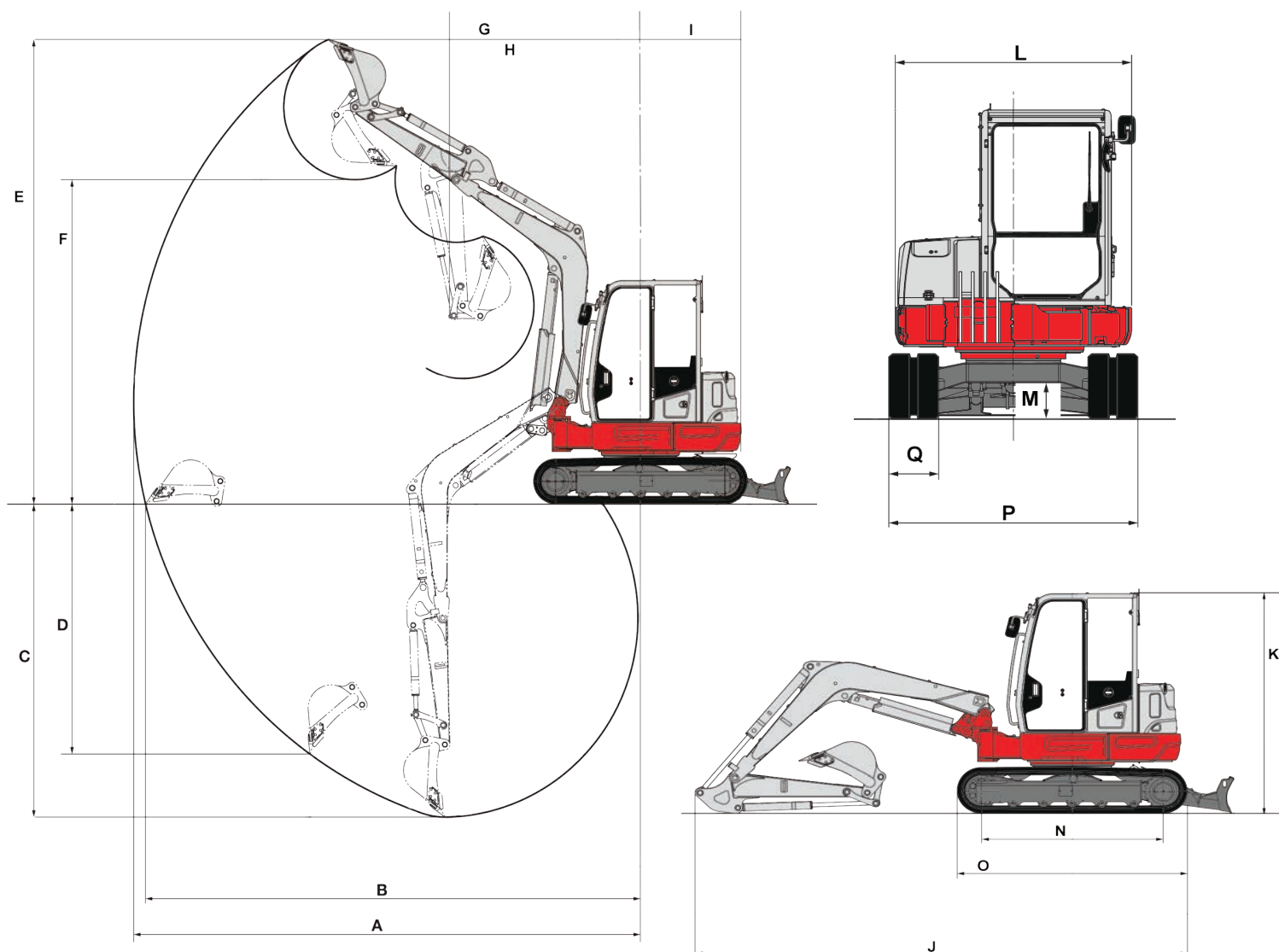


LED Light Package (Optional)



Takeuchi Fleet Management

# TB257FR Compact Excavator



MACHINE DIMENSIONS	1,450 mm ARM	1,760 mm ARM
A Maximum Reach	5,925 mm	6,215 mm
B Maximum Reach at Ground Level	5,785 mm	6,080 mm
C Maximum Digging Depth	3,585 mm	3,895 mm
D Maximum Vertical Digging Depth	2,865 mm	3,160 mm
E Maximum Height of Cutting Edge	5,325 mm	5,495 mm
F Maximum Dumping Height	3,720 mm	3,890 mm
G Front Swing Radius	2,590 mm	2,580 mm
H Front Swing Radius with Boom Offset	1,290 mm	1,435 mm
I Slew Radius		1,180 mm
J Overall Length	5,350 mm	5,395 mm
K Overall Height		2,575 mm
K' Overall Height with Roof Guard		2,620 mm
L Upper Structure Overall Width		1,900 mm
M Ground Clearance		300 mm
N Crawler Base		1,980 mm
O Crawler Overall Length		2,500 mm
P Crawler Overall Width		2,000 mm
Q Crawler Shoe Width		400 mm



© 2020 Takeuchi MFG. Co., Ltd. All Rights Reserved. In accordance with our established policy of continued improvement, specifications and features are subject to change without notice. Pictures may show options other than standard equipment.

FORM: TB257FR Compact Excavator Spec Sheet - August 2020

**TAKEUCHI**<sup>™</sup>  
From World First to World Leader