

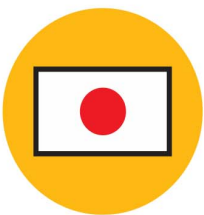


Semco[®]
Equipment Sales

WB18 DTB

TRACKDUMPER

by **YAMAGUCHI**



MADE IN JAPAN



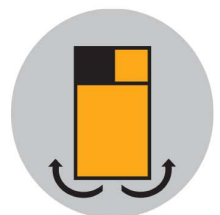
PAYLOAD



1290mm WIDE



KUBOTA DIESEL



SWIVEL SKIP

www.semco-group.com.au

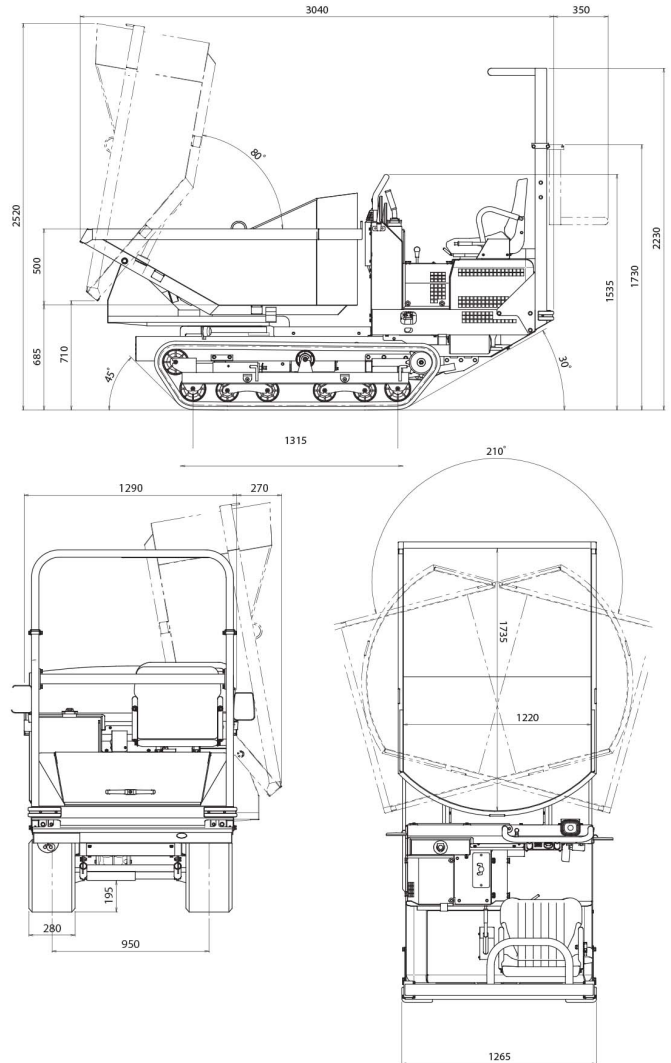
Specifications

Make	Trackdumper by Yamaguchi
Model	WB18 DTB
Payload	1800kg
Unladen Weight	1380kg
Maximum Speed	7.4 KPH / 4.59 MPH
Engine Make & Model	Kubota D902
Engine Type	Three cylinder liquid cooled diesel
Engine Power	16.1 KW / 21.88 HP
Ground Pressure Empty	18.61 KPA / 2.70 PSI
Ground Clearance	195 mm
Fuel Type	Diesel

Dimensions

Overall Length	3040 mm
Overall Width	1290 mm
Overall Height	2230mm
Track Centres	950 mm
Track Width	280 mm
Dump Body Length Internal	1730 mm
Dump Body Width Internal	1220 mm

WB18 DTB TRACKDUMPER by YAMAGUCHI



PH: 1800 685 525

Semco[®]
Since 1994 Equipment Sales

www.semcoogroup.com.au

**55-63 Kurrajong
Ave, St Marys NSW**